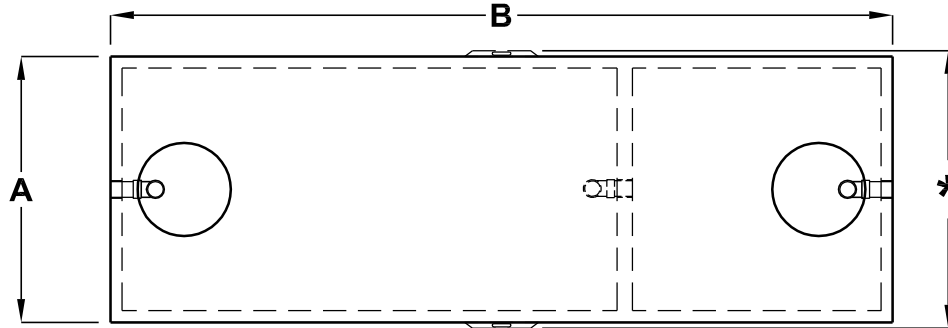
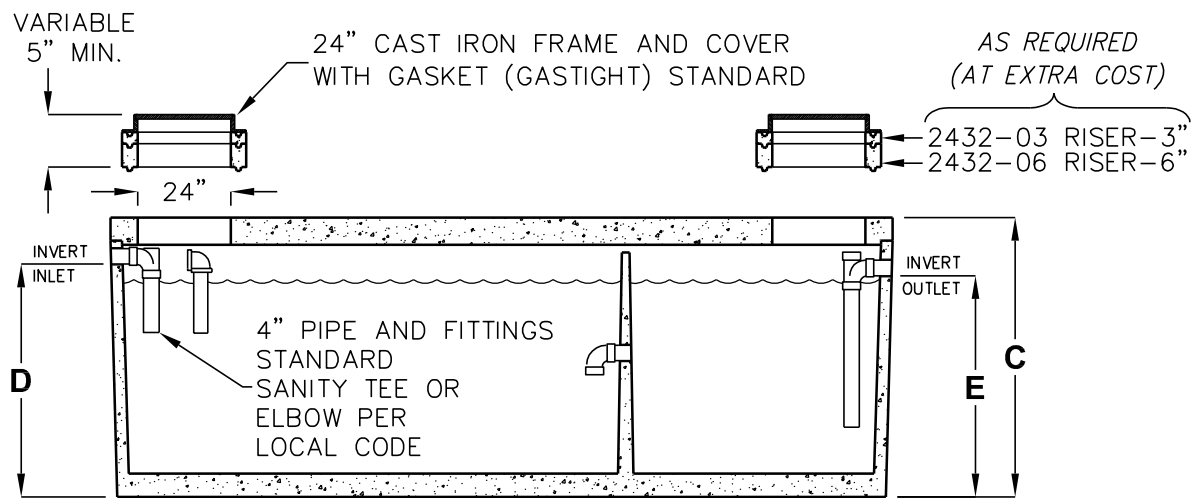


320-5000 GALLON SAND-OIL INTERCEPTORS



PLAN VIEW (COVERS REMOVED)



SIDE SECTION VIEW

MODEL NUMBER	LIQUID CAPACITY (GALLONS)	DIM A	DIM B	DIM C	DIM D	DIM E	MINIMUM EXCAVATION WIDTH	MINIMUM EXCAVATION LENGTH	DEPTH OF BURY
JP320EE-SO	320	3'-0"	7'-0"	4'-6"	3'-7"	3'-4"	4'-0"	8'-0"	1' TO 8'
JP500EE-SO	500	4'-0"	6'-0"	5'-10"	4'-10"	4'-7"	5'-0"	7'-0"	1' TO 6'
JP750EE-SO	750	4'-0"	8'-1"	6'-0"	5'-0"	4'-9"	5'-3"	9'-1"	1' TO 6'
JP1000EE-SO	1000	5'-1"	8'-2"	6'-0"	5'-0"	4'-9"	6'-4"	9'-2"	1' TO 6'
JP1200EE-SO	1200	5'-9"	8'-6"	6'-0"	5'-0"	4'-9"	7'-0"	9'-6"	1' TO 6'
JP1500EE-SO	1500	5'-7"	10'-8"	6'-0"	5'-0"	4'-9"	6'-10"	11'-8"	1' TO 6'
JP2000EE-SO	2000	4'-11"	15'-11"	6'-0"	5'-0"	4'-9"	5'-11"	16'-11"	1' TO 6'
JZ2500EE-SO	2500	5'-9"	16'-10"	6'-0"	5'-0"	4'-9"	6'-9"	17'-10"	1' TO 5'
JZ3000EE-SO	3000	5'-9"	16'-10"	6'-9"	5'-9"	5'-6"	6'-9"	17'-10"	1' TO 5'
JZ4000EE-SO	4000	7'-8"	16'-7"	6'-9"	5'-6"	5'-3"	8'-8"	17'-7"	1' TO 5'
JZ5000EE-SO	5000	7'-8"	16'-7"	7'-11"	6'-9"	6'-6"	8'-8"	17'-7"	1' TO 4'

*OVERALL WIDTH CAN VARY WITH TANK MODEL. USE EXCAVATION WIDTH FOR SITE PLANNING.

BOX DESIGN LOAD: H-20 TRAFFIC

FOR COMPLETE DESIGN AND PRODUCT INFORMATION
CONTACT JENSEN PRECAST.

Jensen Precast reserves the right to make changes to product design and/or dimensions without notice. Please contact Jensen Precast whenever necessary for confirmation or advice on product design.

