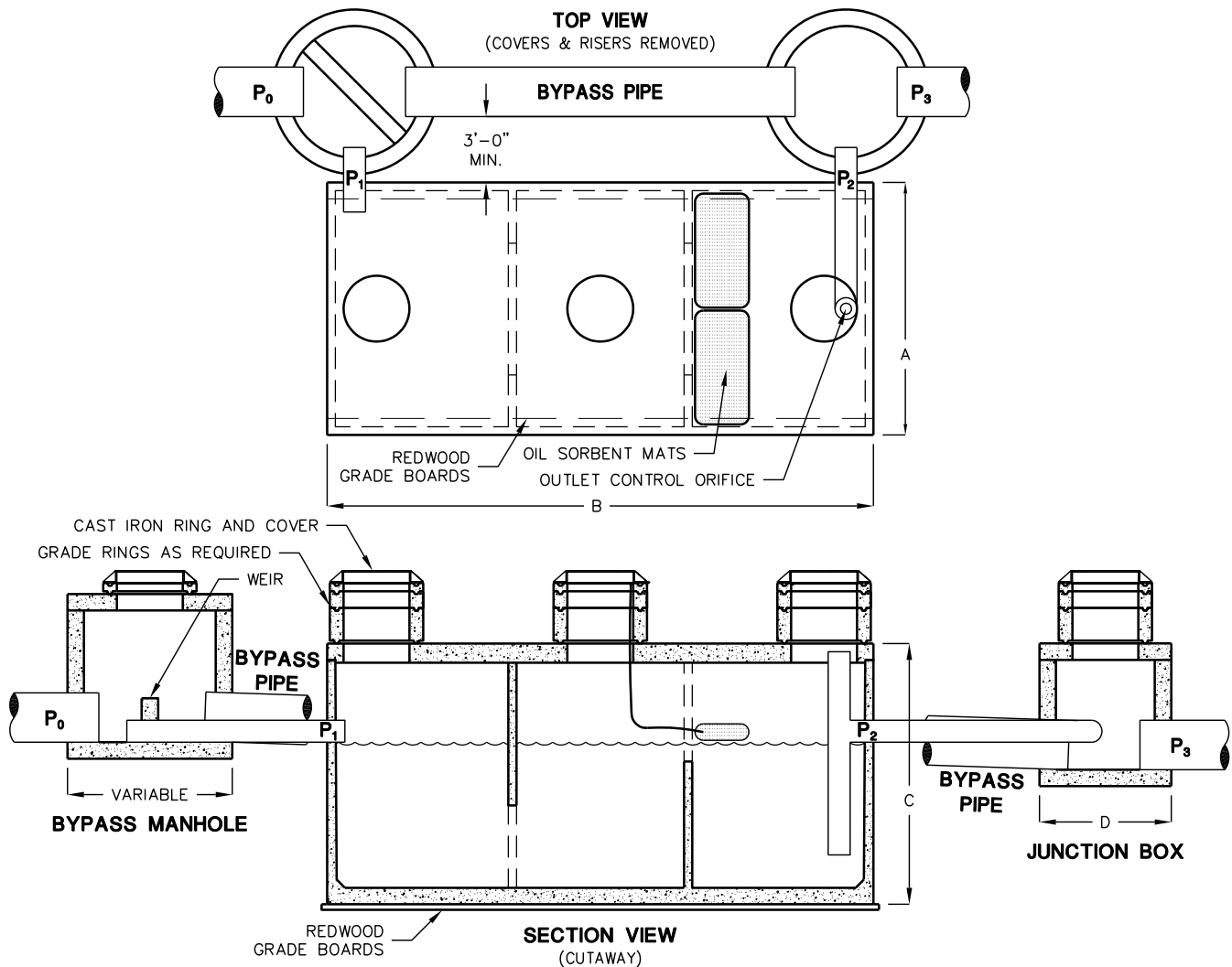


**FOR ILLUSTRATION PURPOSES ONLY.**

SIZES, ELEVATIONS, MANHOLE LOCATIONS,  
ETC. ARE EXAGGERATED FOR CLARITY.

# JPHV STORMWATER INTERCEPTORS

MODELS JPHV-750 - JPHV-30000



MODEL NUMBER	TOTAL TANK CAPACITY	VAULT WIDTH A	MAIN TANK VAULT LENGTH B	VAULT HEIGHT C	MAXIMUM TREATMENT CAPACITY (CFS)	RECOMMENDED TREATMENT FLOW (CFS)	MINIMUM RECOMMENDED JUNCTION BOX MANHOLE SIZE D	RECOMMENDED MIN. NO. OF SORBENT MATS	TOTAL ACCESS COVERS REQUIRED
JPHV-750	894 GAL.	4'-0"	8'-1"	6'-3"	0.24	.20	48"Ø ROUND	1	5
JPHV-1000	1,199 GAL.	5'-1"	8'-2"	6'-3"	0.32	.26	48"Ø ROUND	1	5
JPHV-1200	1,443 GAL.	5'-9"	8'-6"	6'-6"	0.38	.32	48"Ø ROUND	1	5
JPHV-1500	1,793 GAL.	5'-7"	10'-8"	6'-3"	0.48	.40	48"Ø ROUND	1	5
JPHV-2000	2,385 GAL.	4'-11"	15'-11"	6'-0"	0.64	.53	48"Ø ROUND	2	5
JPHV-2500	3,059 GAL.	5'-9"	16'-10"	6'-0"	0.80	.68	48"Ø ROUND	2	5
JPHV-3000	3,483 GAL.	5'-9"	16'-10"	6'-9"	0.96	.77	48"Ø ROUND	2	5
JPHV-4000	4,761 GAL.	7'-8"	16'-7"	6'-9"	1.27	1.06	48"Ø ROUND	2	5
JPHV-5000	5,750 GAL.	7'-8"	16'-7"	7'-11"	1.59	1.28	48"Ø ROUND	4	5
JPHV-6000	6,960 GAL.	7'-8"	33'-3"	5'-5"	1.91	1.55	60"Ø ROUND	4	8
JPHV-8000	9,609 GAL.	7'-8"	33'-3"	6'-9"	2.55	2.14	60"Ø ROUND	4	8
JPHV-10000	11,590 GAL.	7'-8"	33'-3"	7'-11"	3.18	2.60	60"Ø ROUND	4	8
JPHV-12000	14,456 GAL.	7'-8"	49'-11"	6'-9"	3.82	3.22	60"Ø ROUND	6	11
JPHV-15000	17,429 GAL.	7'-8"	49'-11"	7'-11"	4.77	3.90	60"Ø ROUND	6	11
JPHV-16000	19,304 GAL.	7'-8"	66'-7"	6'-9"	5.09	4.30	60"Ø ROUND	8	14
JPHV-20000	23,269 GAL.	7'-8"	66'-7"	7'-11"	6.37	5.20	60"Ø ROUND	8	14
JPHV-24000	28,999 GAL.	7'-8"	99'-11"	6'-9"	7.64	6.50	60"Ø ROUND	10	20
JPHV-25000	29,108 GAL.	7'-8"	83'-3"	7'-11"	7.96	6.50	60"Ø ROUND	10	18
JPHV-28000	33,847 GAL.	7'-8"	116'-7"	6'-9"	8.91	7.50	60"Ø ROUND	12	23
JPHV-30000	34,947 GAL.	7'-8"	99'-11"	7'-11"	9.55	7.50	60"Ø ROUND	12	20

DESIGN LOAD: H-20. FOR OTHER DEPTHS, SPECIAL LOADINGS, OR COMPLETE DESIGN AND PRODUCT INFORMATION, CONTACT JENSEN PRECAST OR GO TO [WWW.JENSENPRECAST.COM](http://WWW.JENSENPRECAST.COM)

